



Rainwater storage tanks HZ. RW CE



HZ. RW 2.400L CE
974,00 €

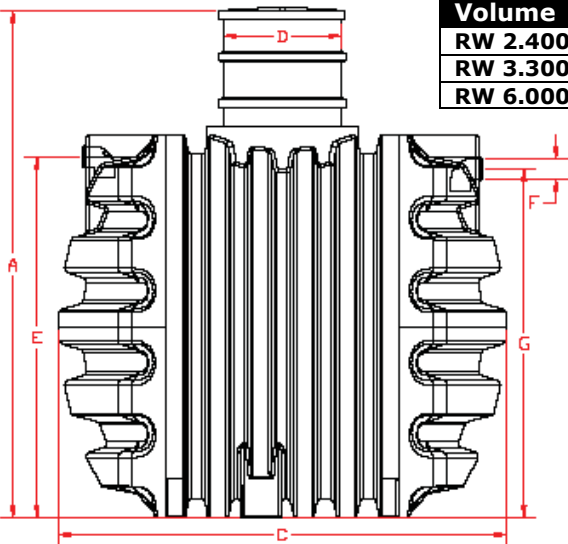
HZ. RW 3.300L CE
1.406,00 €

HZ. RW 6.000L CE
1.864,00 €

TECHNICAL DATA

Volume	A	R	C	D	E	F	G	Kg	Riser
RW 2.400 L	1.950	1.350	2.350	600	1.220	110	1.180	110	VHSC600/600
RW 3.300 L	2.210	1.610	2.390	600	1.450	110	1.400	180	VHSC600/600
RW 6.000 L	2.470	2.070	2.400	600	1.850	125	1.800	270	VHSC600/400

Dimensions in mm and informative, subject to alterations.
Welded riser VHSC600/600 with standard lid included.



OPTIONS

Riser

Type	Height	Diameter	Weight
VHSC600/1200 riser in PE	1200	600	22

Lids



(*)

Type
Plastic Boralit pedestrian lid (class 15) *

Coupling kit

Type
Coupling set with 1m of flexible
Flexible of 1 mtr. long